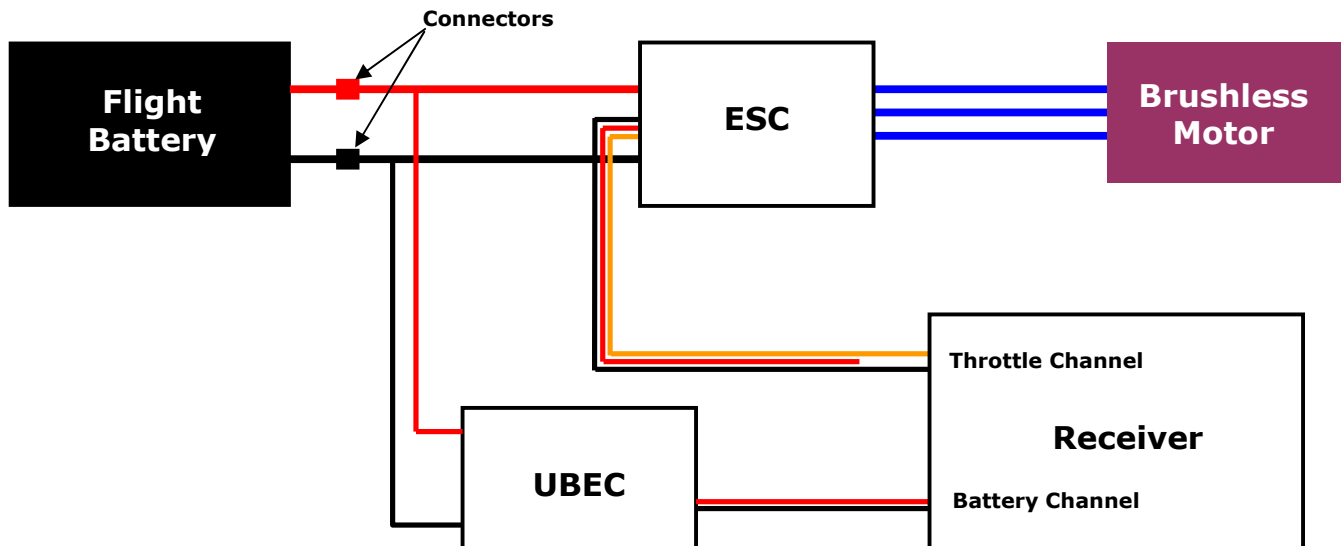


How to wire up a UBEC



Please note that the red (+ve) wire from the ESC (**E**lectronic **S**peed **C**ontroller) to the receiver is broken. Rather than cut the wire, carefully remove the wire from the plug and tape back out of the way so that you can re-insert it at a later day if you decide to use the ESC in a different model on a lower voltage.