

G.T.POWERc

電子開關 使用說明書

感謝您購買GT POWER的產品，在Lipo模式下，這款電子開關可以實時監測2節Lipo電池電量，並在電池電壓低於6V的情況下，完全切斷輸出，從而避免電池因過放損壞。在使用這款產品前，您一定要花幾分鐘來閱讀此說明書，這份說明書里包含重要的建議和安全使用要點。

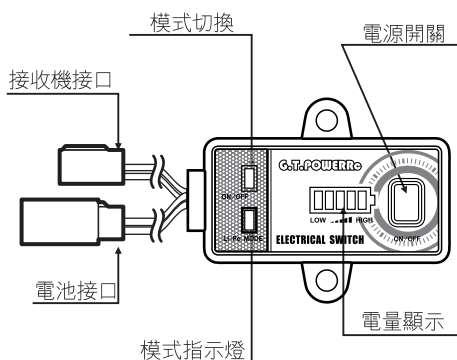
規格參數

輸入電壓: 5V-10V
(Lipo 2S或NiCd/NiMH 4-8 cells)
輸出電壓 = 輸入電壓
最大瞬間電流: 14A
持續工作電流: 8A
尺寸: 43×33×9mm
重量: 9g

實用功能

智能CPU控制
Lipo模式
LED電池電量顯示

連接示意圖和圖解



● **開電源:**
按住電源按鍵1秒

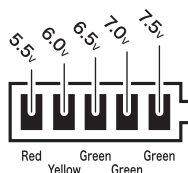
● **關電源:**
按住電源按鍵3秒

● 電量顯示:

5個LED燈實時顯示當前電池電量。

LED顏色/電壓值

紅色/5.5V或者更多
黃色/6.0V或者更多
綠色/6.5V或者更多
綠色/7.0V或者更多
綠色/7.5V或者更多



● Lipo模式

操作模式切換按鍵1秒
普通模式: LED滅
Lipo模式: LED亮

功能解釋

Lipo 模式: 這個工作模式是防止2節Lipo電池因過放電而造成損壞。為了保護電池，當電池電壓低於6V時，此產品會立即切斷輸出；當電池電壓高於6V時，輸出將會恢復。工作在Lipo模式時，設備的反應速度會變慢，這是產品的截止電壓的原因而不是設備損壞。

注意和警告

- 1、請仔細閱讀完本說明書以便正確使用產品。
- 2、請在規定的工作規格範圍內使用本產品。
- 3、請不要在雨中使用本產品，以免短路。
- 4、請妥善保管本說明書，以便隨時查閱。

保修條款

我們對您所購買的產品自購買之日起提供一年質保服務，此項服務只適用於產品質量問題。在產品質保期間，只要您憑借購買憑據，一切有質量問題的產品都可以免費維修或更換。但由於磨損、超負荷、進水、人為操作不當或者配件的錯誤使用造成的損壞則提供有償維修服務。

Electrical Switch INSTRUCTION MANUAL

Thank you for purchasing GT Power products. In Lipo mode, this electrical switch can monitor 2cells Lipo battery capacity and when the tested battery voltage is lower than 6V, it will cut off voltage completely to prevent damage due to over discharge. Please take a moment to read the instructions before you start to use your Electrical Switch. This manual contains important notes for safety.

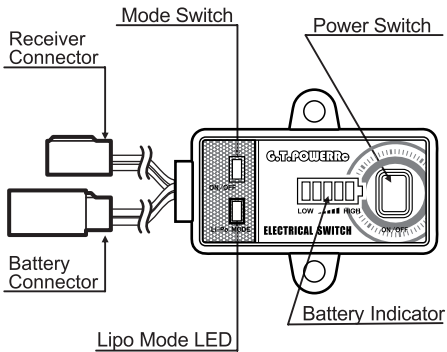
Specifications

Input Voltage: 5V-10V
(Lipo 2S or NiCd/NiMH 4-8 cells)
Output voltage = Input voltage
Max Peak current: 14A
Continuous current: 8A
Size: 43×33×9mm
Weight: 9.0g

Practical Functions

Intelligent CPU control
Lipo mode.
LED Battery capacity indicator

Connections & Name of Parts



● Power on

Press the Power switch for one second.

● Power off

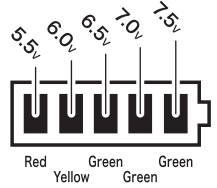
Press the Power switch for three seconds.

● Battery Indicator

5 LED displays the condition of the battery.

LED Color / Units

Red/5.5V or more
Yellow/6.0V or more
Green/6.5V or more
Green/7.0V or more
Green/7.5V or more



● Lipo Mode

Press the Mode Switch for a second
Normal mode / LED off
Lipo mode / LED on

Function Explanation

Lipo Mode: This function is that to prevent damage of 2S Lipo battery due to over discharge.

To protect the battery, when the battery voltage is lower than 6V, the output will cut off quickly and when the battery voltage is higher than 6V, the output will resume.

The reaction of the equipment might become slow when in the lipo mode. It is caused by the cut off voltage of this product.

Cautions

- Please read this operating manual carefully in order to operate correctly.
- Please use this product within the range of the specification.
- Please do not use this product in the rain to avoid a short circuit.
- Please keep this operating manual for inspection at any time.

Warranty

We warrant this product for a period of one year(12 months) from the date of purchase. The guarantee applies only to such material or operational defects, which are present at the time of purchasing the product. During that period, we will replace without service charge any product deemed defective due to those causes. You will be required to present proof of purchase (invoice or receipt). This warranty does not cover the damage due to wear, overloading, improper handling or using of incorrect accessories.